

Rapid Steamer | RS



Build a bigger, more complete menu with just a single piece of equipment—the Rapid Steamer by Antunes. This unit converts plain tap water into dry steam so foods keep their original textures, colors, flavors, and nutrients. The end result: food that looks fresher and tastes better, from vegetables and seafood to pasta, proteins, and more.

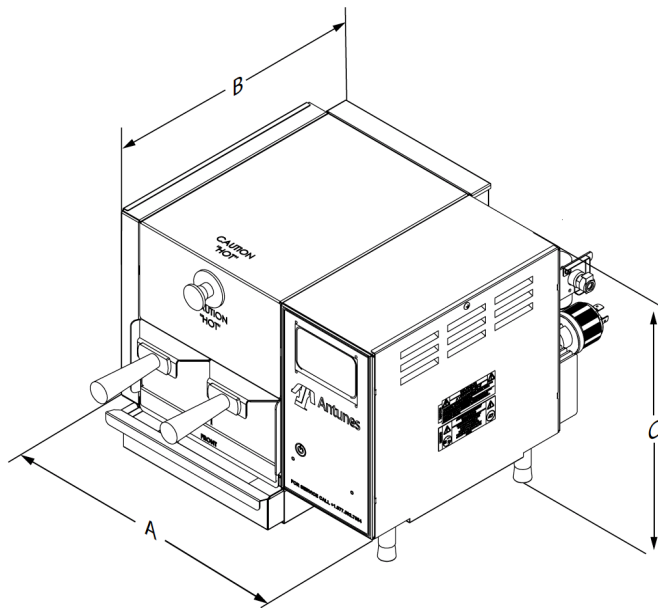
The Rapid Steamer's consistent steaming process removes the guesswork and produces a uniform finish from one operator to the next. Intelligent programming automatically adjusts steam introduced to the chamber for ideal steaming in every cycle.

The Rapid Steamer features a touchscreen interface for quickly preparing items. With an instant steaming button as well as preprogrammed favorites, this easy-to-use unit can handle a variety of different menu items without causing any delays in service. The included USB connection allows operations to easily load new recipes to handle new and expanding menus.

FEATURES

- Intelligent programming automatically optimizes steaming performance, needing only cook time to be set.
- Touchscreen interface allows for quickly preparing a variety of menu items as well as programming new recipes.
- Two 20-ounce compartments allow operators to prepare individual portions of made-to-order menu items at the same time.
- USB connection to easily upload recipes for new menu items.
- Instantly turns plain tap water into dry steam.
- Prepare a variety of different menu items with a consistent finish each and every time.
- Stainless steel construction.
- Solid state controls.
- Includes direct water hook-up kit (required).

Rapid Steamer | RS



Electrical Ratings and Plug Configurations

Model No.	Volts	Watts	Amps	Hertz	Plug Description
RS-1000 9100650	208	5000	24	50/60	NEMA L6-30P
RS-1000 9100651	200- 240	5000	30	50/60	IEC-309

Model & Mfg. No.	Width (A)	Depth (B)	Height (C)
------------------	-----------	-----------	------------

RS-1000 9100650	17.39" (441.7 mm)	16.86" (428.2 mm)	12.79" (324.9 mm)
RS-1000 9100651	17.39" (441.7 mm)	16.86" (428.2 mm)	12.79" (324.9 mm)

P/N 1020485 8/18



Antunes delivers a complete range of countertop cooking equipment and water filtration solutions to foodservice operations around the world. Learn more about Antunes and its products at www.antunes.com.

Corporate Headquarters
 Carol Stream, Illinois
 Phone: (630) 784-1000
 Toll Free: (800) 253-2991
 Fax: (630) 784-1650

China Facility
 Suzhou, China
 Phone: 86-512-6841-3637
 Fax: 86-512-6841-3907